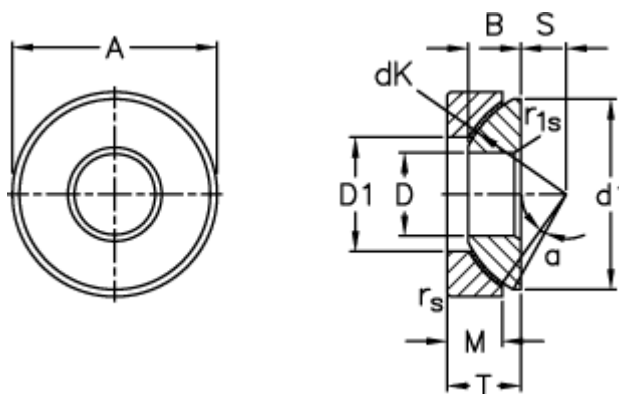


Article number: 03512100

Description: Fluro Rod end GE 100AW

Measures



A	= 210 0 -0,030	rs, r1s min	= 1.1
B	= 51	S	= 45
D	= 100 0 -0,020	Static axial load C0 (kN)	= 4800
d1 max	= 198	T	= 59 +0,25 -0,60
D1 min	= 127	Tilt angle	= 4
dK	= 222	Weight	= 10900
Dynamic axial load C (kN)	= 2400		
M	= 46		